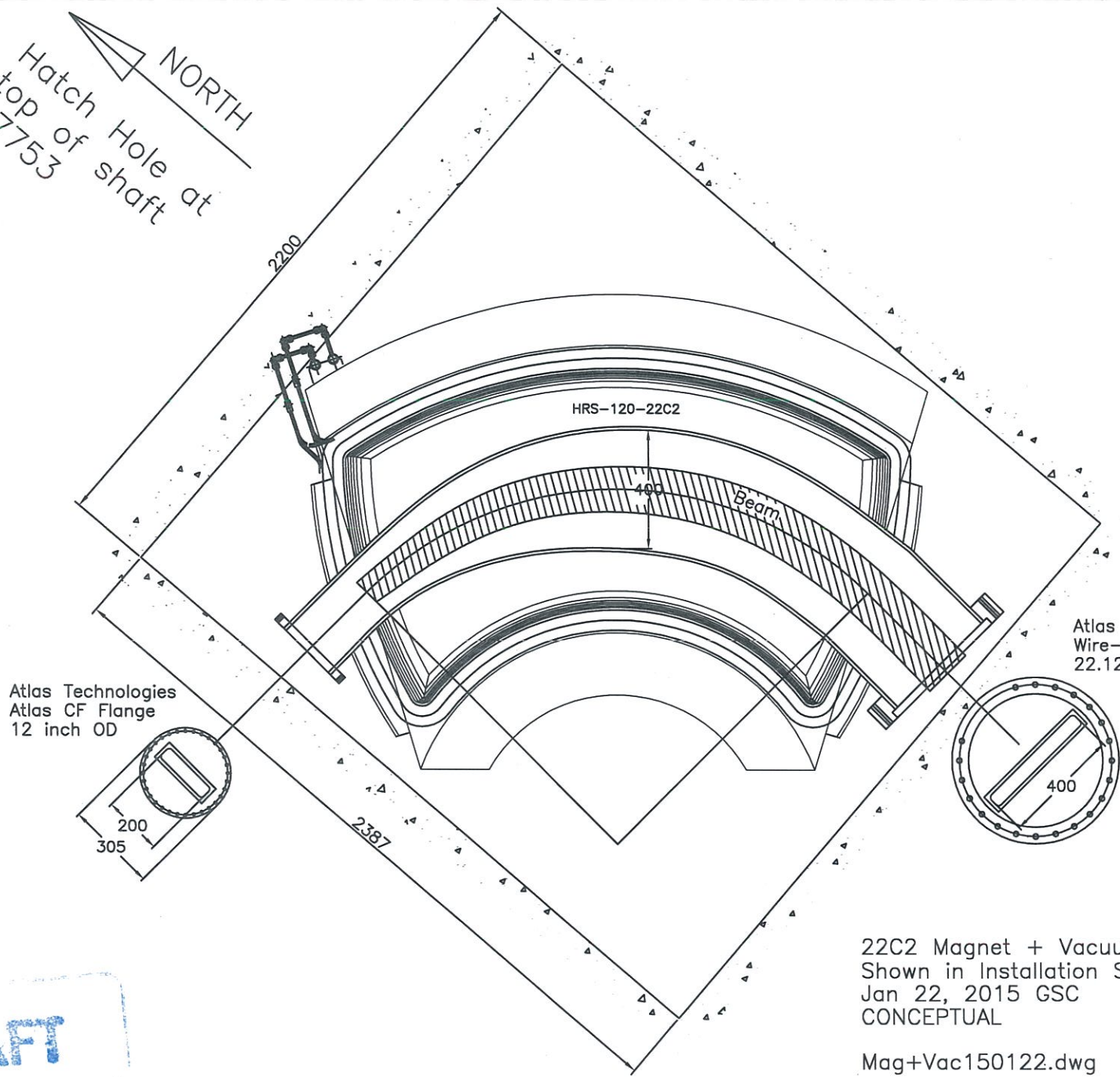


NORTH  
Hatch Hole at  
top of shaft  
17753



Atlas Technologies  
Atlas CF Flange  
12 inch OD

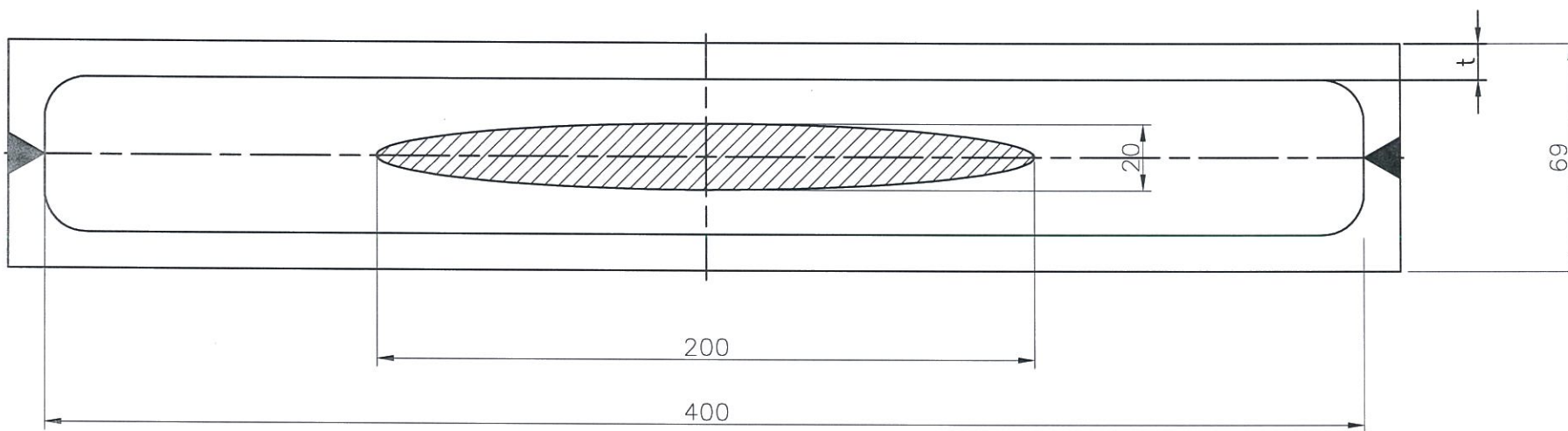
Atlas Technologies  
Wire-Seal Flange  
22.125 inch Dia.

*GSL*  
JAN 22 2015

22C2 Magnet + Vacuum Chamber  
Shown in Installation Shaft  
Jan 22, 2015 GSC  
CONCEPTUAL

Mag+Vac150122.dwg

**DRAFT**



Possible HRS Vacuum Chamber section

August 28, 2014

Scale ~1/2

Aluminum 6061T651  $t = \sim 11$  mm

DRAFT

68l  
JAN 22 2015

Vac Box CS. dwg.