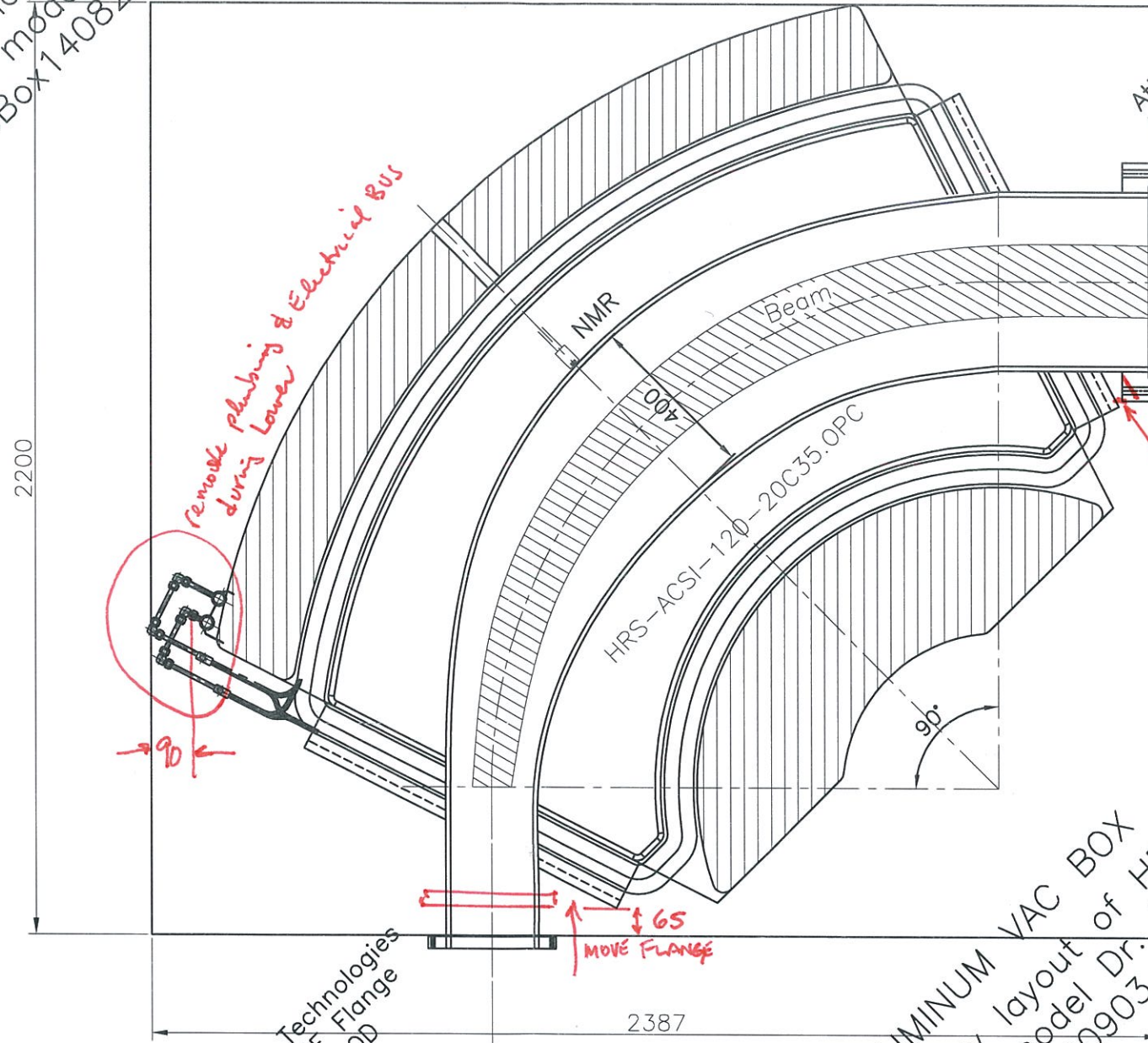
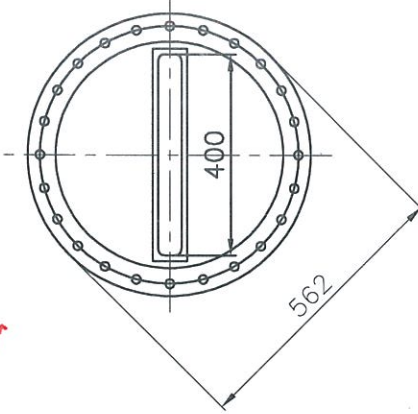


ALUMINUM Vh  
Preliminary layout of  
based on model Dr. 140829.dwg  
AlumVacBox140829.dwg

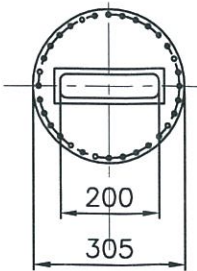
Hatch Hole at  
top of shaft  
17753



Atlas Technologies  
Wire-Seal Flange  
22.125 inch Dia.



Atlas Technologies  
Atlas CF  
12 inch OD



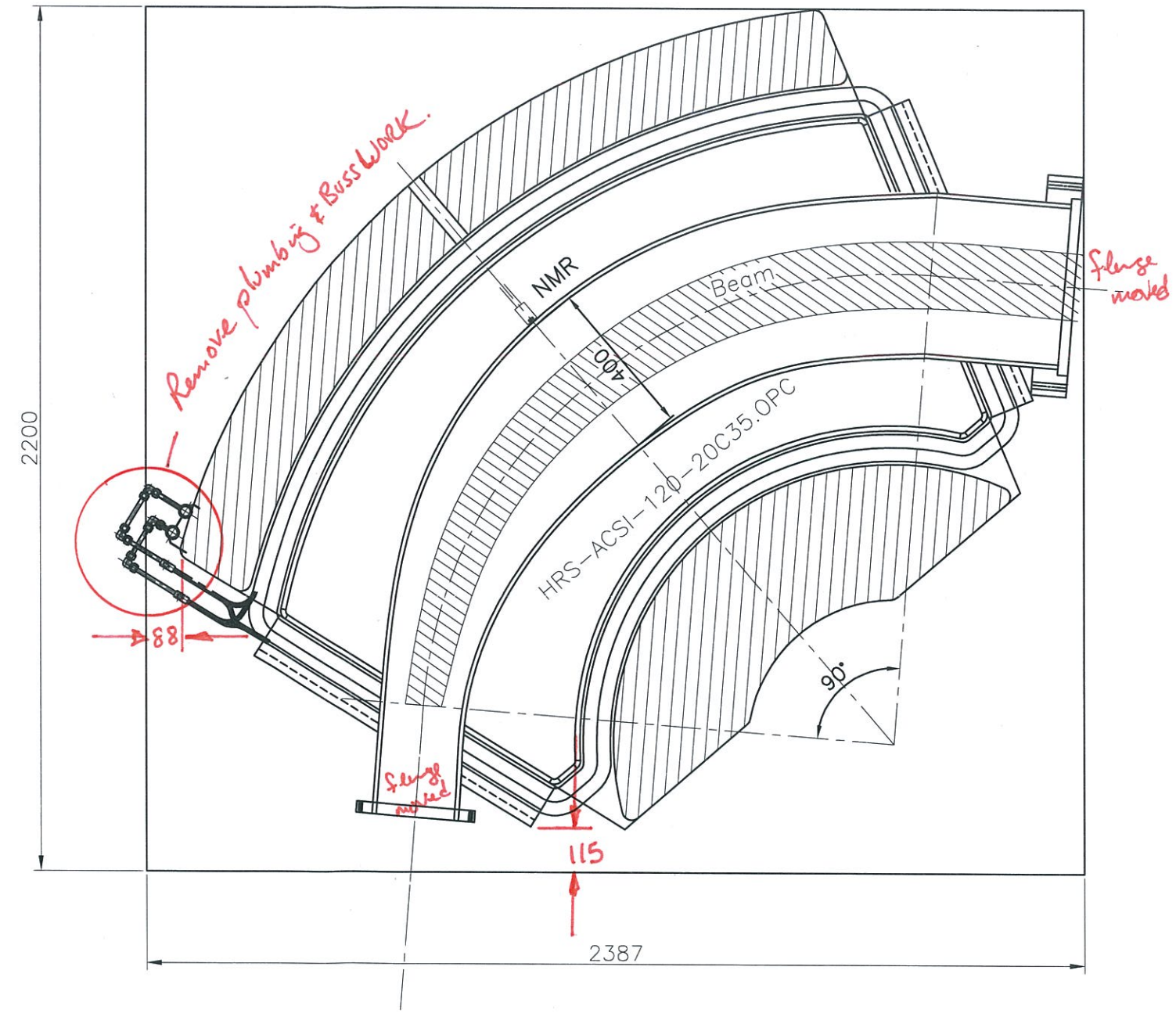
ALUMINUM VAC BOX  
Preliminary layout of  
based on model Dr. 140903.dwg  
AlumVacBox140903.dwg

ALUMINUM VAC BOX  
Preliminary layout of HRS magnet + Vac Box  
based on model Dr. Maloney emailed July 25.

**DRAFT**

Conceptual.

NORTH  
Hatch Hole at  
top of shaft  
17753



**DRAFT**  
Conceptual

Gbl  
SEP 25 2014